

Maintenance Instructions

Replace Ultraviolet lamp every **eight months** of use to maintain optimum performance of the unit.

At eight months of continuous use the UV output of the lamps have lost approximately 30% effectiveness and should be replaced. After this time the lamp may still light but is no longer emitting enough of the special UV light required for an effective insect catch.

All other services:

Any servicing other than cartridge or UV lamp replacement, should be performed by an authorized service representative.

Call, email, or Fax Paraclipse for the name of the nearest service representative.



Care and Cleaning of Unit:

For the best results your unit should be cleaned regularly when you change the cartridge.

When cleaning do the following:

1. Disconnect power cord from electrical outlet.
2. Use damp cloth to clean the body of the trap and lamp. Make sure you remove excess insect droppings and dead carcasses.
3. Dry trap thoroughly with soft cloth.
4. Reconnect to electrical outlet.

Warning!

HG-LAMP CONTAINS MERCURY

Manage in Accordance with Disposal Laws
See: www.lamprecycle.org.



Use only Genuine Paraclipse replacement Cartridges and Ultraviolet (UV) Lamps to maintain your Paraclipse product in proper working order. Use of Non-Paraclipse replacement parts may cause damage to your Paraclipse equipment and may void warranty.

For replacement parts contact your dealer. Call, email, or Fax Paraclipse for the nearest dealer.

Replacement Parts and Part Number:

Lamp kit	#72489
Cartridges (12 pack)	#72320

To order additional Units:

Paraclipse Fly Patrol™ #250707
120 Volt 50/60HZ

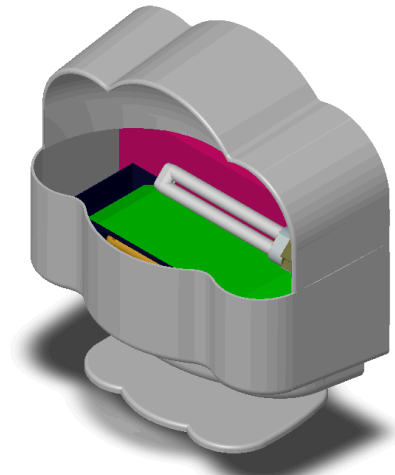
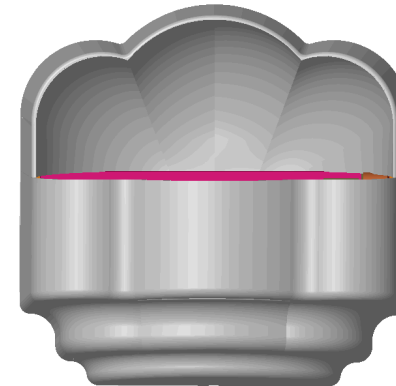
Paraclipse
2271 East 29th Ave.
PO Box 686
Columbus, NE 68602-0686 USA
Phone:(402)563-3625
Fax: (402) 564-2109
Email: contact@paraclipse.com
Web site: www.paraclipse.com

72679-04-21-2014

Paraclipse®

Paraclipse Fly Patrol™

Decorative Home and Commercial Fly Control System



SAVE THESE INSTRUCTIONS

72679-04-21-2014

TABLE OF CONTENTS

Features and Benefits	Page 2
Important Safety Instructions	Page 3
Mounting Instructions	Page 4
Ultraviolet Lamp/Cartridge Installation	Page 5
Cartridge & Manual Paper Advance	Page 6
Sconce Installation	Page 7
Maintenance Instructions	Page 7 & 8

Features

- Complete Decorative Fly Control System.
 - Exclusive, automatic advance 30 day cartridge trapping system.
 - Specially engineered reflective top shell.
 - Portable.
 - Highly effective combination of special UV light, attractants and trapping surface.
 - The trapping system is environmentally friendly.
 - Easy to maintain, easy to clean.
- Looks like a decorative wall sconce. Silent operation.
 - Directs light out and down, to increase overall effectiveness.
 - Eliminates large quantities of flies. Holds up to 10 times the capacity of other units. Sanitary cartridge helps keep your home safe & free from flies carrying diseases such as Salmonella & E. coli.
 - Unit can be mounted on wall as a sconce or used with the stand provided to move it to wherever you need it.
 - Draws flying insects to trapping surface and keeps them trapped.
 - No hazards from chemical pesticides. No electrocution.
 - Easily cleaned with a damp cloth.

Benefits

Sconce Installation - Maintenance Instructions

Sconce Installation:

1. Plug in unit to verify that the lamp is operational.

Sconce Assembly:

2. Fig. 10 is a back view of the sconce attachment features. The sconce has open slots for ease of assembly, disassembly, and ease of cleaning. The back frame (Fig.11) has two ear attachments, that fit into slots on sconce (Fig.10). Simply align the sconce slots over the ear attachments. When you wall mount the unit, sconce will be firm against the wall. When you base mount the unit, sconce will rest on the back plate and base.

FRONT VIEW

Paraclipse Fly Patrol™ Sconce



BACK VIEW

Fig. 10



Cartridge Maintenance:

The tacky surface of the Cartridge advances slowly and remains effective up to 30 days, under normal use depending on the volume of insect catch. (Fig. 11)

1. When tacky surface is no longer available you will need to replace the cartridge.
2. If the tacky surface is filled with a heavy catch of insects, manually advance the cartridge so fresh surface is available. (See pg. 6 fig. 8)

DEAD INSECTS ARE UNSANITARY

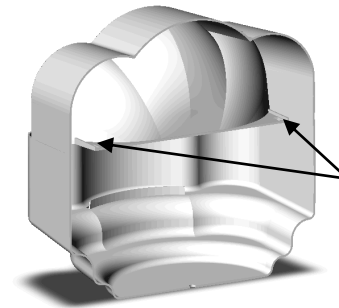
NOTE: If a new cartridge is not available for installation, unplug the unit until a genuine Paraclipse replacement cartridge is available.



Ultraviolet Quantum Ultraviolet Lamp

Lamp Replacement:

1. Disconnect power cord from electrical outlet.
2. Remove old lamp.
3. Insert new lamp and firmly snap-in socket (see page 5, Fig. 4 & 5).



Slots

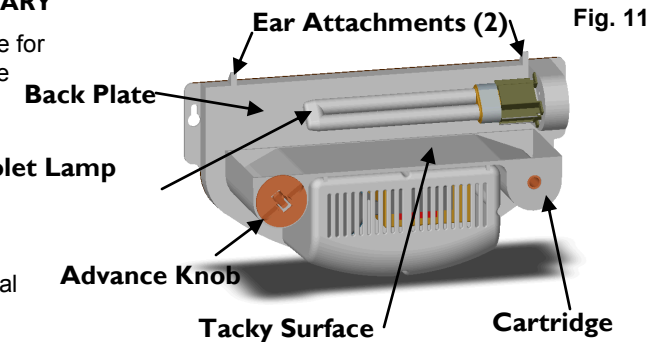


Fig. 11

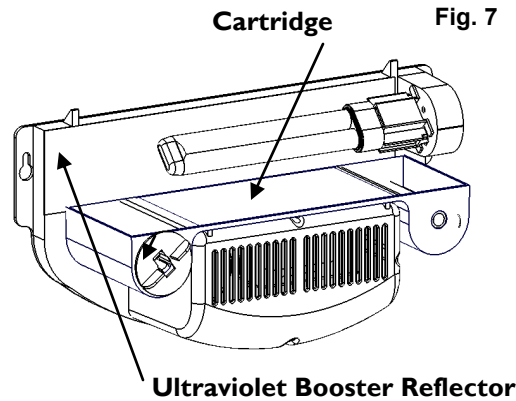
Cartridge & Manual Paper Advance

Cartridge Alarm:

NOTE: If a new cartridge is not available for installation, unplug the unit to shut off the alarm until a genuine Paracclipse replacement cartridge is available.

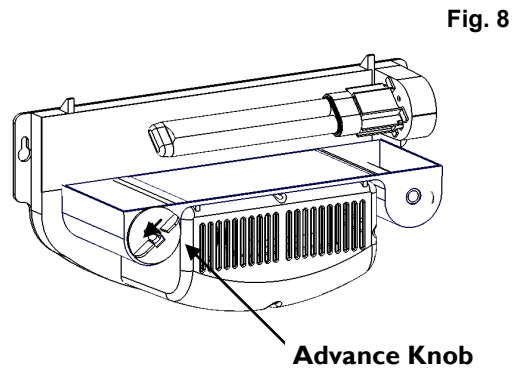
Cartridge Information:

The Paracclipse Fly Patrol™ is unique in that the cartridge is automatic, after the initial start-up the automated designed unit will function on its own. (Fig. 7)



Manual Paper Advance:

You can manually advance the tacky paper surface by simply turning the left advance knob **counterclockwise** until the desired amount of tacky paper is available to catch insects. (Fig. 8)
This is required when installing a new cartridge or advancing the paper due to heavy insect catch.



NOTE: The drive spool will turn approximately 1/2 revolution per day (24 hours).

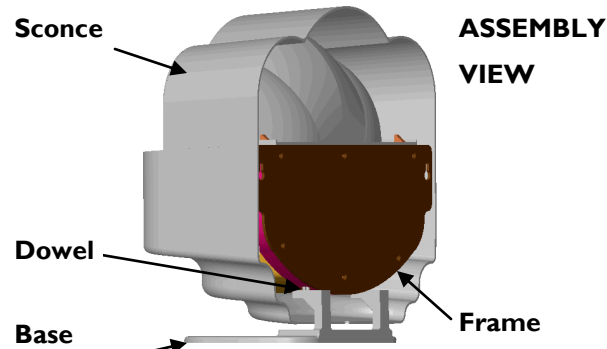
Ultraviolet Booster Reflector:

The purpose of the ultraviolet booster reflector is to reflect UV light outward from the reflection of the UV lamp. It is important that this reflective strip is kept clean. (Fig. 7)

Before Changing Lamp or

Cleaning:

1. Unplug the unit from the outlet before changing lamp or cleaning.
2. Remove the unit from wall or base mount. Remove the sconce, cartridge, and lamp before cleaning any part of the unit. Lay flat on frame, and clean or change lamp as needed. (See assembly view).
3. Reconnect to electrical outlet.



72679-04-21-2014

IMPORTANT SAFETY INSTRUCTIONS



This symbol is intended to alert you of the presence of dangerous voltage within the unit's enclosure that may be of sufficient magnitude to constitute a risk of electric shock.



This symbol is intended to alert you of the presence of important operating and maintenance instructions accompanying the unit.

For Household and Commercial Use

INSTRUCTIONS PERTAINING TO RISK OF FIRE, ELECTRIC SHOCK, OR INJURY TO PERSONS.

WARNING— When using electric appliances, basic precautions should always be followed, including the following:

1. Read all instructions before using appliance.
2. Do not unplug by pulling on cord. To unplug, grasp the plug, not the cord.
3. To reduce the risk of electrical shock, do not put the unit near water or other liquid. Do not place or store appliance where it can fall or be pulled into a tub or sink.
4. Do not remove the motor enclosure. No user serviceable parts are inside.
5. This product is intended for indoor use only! Not suitable for use in barns, stables, and other similar locations. Do not use where it may be exposed to flammable vapor, explosive dust, water or direct sunlight (including roofed and open porches).
6. Disconnect the product from power supply when not in use, before servicing, cleaning, or when changing lamp. Replace bulb with the same type rated 13 watt bulb.
7. Use only extension cords marked SPT- 1, or equivalent. Its electrical rating must be at least 120 V, 60 Hz, and 10 Amps. Use only extension cords which have plugs and receptacles which accept product's plug.
8. Replace or repair damaged cords.
9. Don't abuse the cord. Never carry the product by the cord or yank it to disconnect it from the power source. Keep the cord away from heat, oil, and sharp edges. Main plug should always be accessible.
10. Extension cords & devices for retaining an extension cord connection to the power supply cord are available at most hardware stores.
11. Keep out of reach of children

CAUTION! To avoid risk of contamination, observe the following: Dead insects are unsanitary. Use care in removing used cartridge.

SAVE THESE INSTRUCTIONS

72679-04-21-2014

Mounting Instructions

Paraclipse Fly Patrol™ Contents:

- Operation Manual.
- One Sconce Assembly.
- Drywall Anchor kit with Instructions.
- One Frame Assembly with Power Cord.
- One Cartridge.
- One UV Quantum Lamp.

Unit location on wall - Fig. 1

Select a wall away from windows or competing light source. For best results, mounting holes should be located 66" (1.68 m) above the floor.

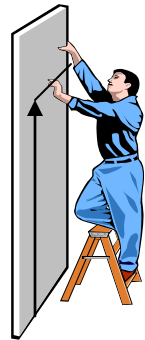


Fig. 1

Locate mounting holes approximately 66" (1.68m) above floor

Mounting unit to wall - Fig. 2

1. Mark two locations on the wall for your fasteners that are 11.4" (28.9cm) apart. Make sure that the marks are level with each other.

a. Types of Fasteners that can be used:

- Drywall anchors.

NOTE: When using the drywall anchors follow the instructions provided in the Wall Anchor Kit.

- Two Screws.

- Combination of one anchor and one screw.

NOTE: The wall anchor kit provided will accommodate these combinations.

2. Use a Phillips head screwdriver to mount the frame assembly on the wall. The frame assembly must be securely mounted to the wall. **NOTE:** For other surfaces, such as concrete, different fasteners or anchors may be required. These types of fasteners are not included.

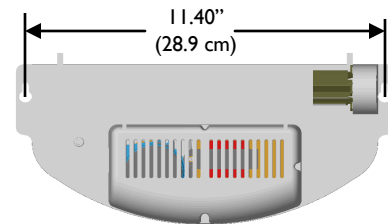


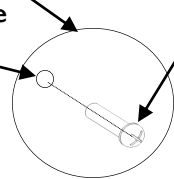
Fig. 2

Anchors are for dry-wall where wall studs are unavailable

Drill 1/4" (6.5mm) hole

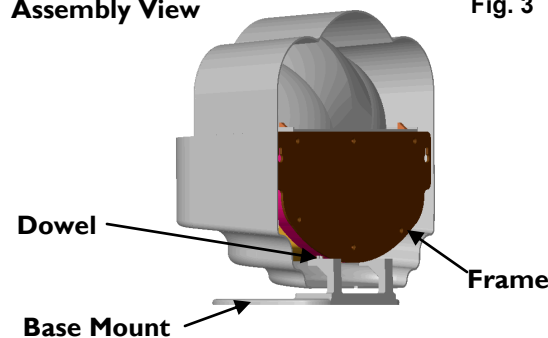
Drywall Anchor

1 1/4" screw



Assembly View

Fig. 3



Dowel

Base Mount

Frame

72679-04-21-2014

Base Mounted - Fig. 3

You may wall mount as a sconce or place on provided base mount as shown in Fig.3 Make sure frame is placed securely on both dowels and base mount is secure.

Use caution in placement of unit as to avoid unit from being knocked over. Make sure cord is placed where it will not get caught or tripped on.

Ultraviolet Lamp/Cartridge Installation

Lamp and Cartridge Installation:

Note: Unit must be securely mounted to wall or placed on base mount before you proceed with the installation of Lamp & Cartridge.

1. Remove the ultraviolet lamp from the box. Insert the lamp into the lamp socket by aligning the pins of the lamp with the light socket and snap in firmly. (Fig. 4 & 5)

NOTE: It is recommended to replace the ultraviolet lamp every **eight months** of use to maintain optimum performance of the unit.

At eight months of continuous use the UV output of the lamps have lose approximately 30% effectiveness and should be replaced. After this time the lamp may still light but is no longer emitting enough of the special UV light frequency required for an effective insect catch.

2. Rotate the drive spool of the cartridge in the direction of the arrow shown on the drive spool until the glue spans the full length of the cartridge. (Fig. 5)
3. Position the cartridge on the top of the motor enclosure. Push the cartridge in until it stops. (Fig. 5 & 6) **NOTE:** About 6 to 7 rotations will be required.

Replacement Quantum Lamp Kit: part # 72489

Cartridge Alarm:

The Paraclipse Fly Patrol™ has an out of paper sensor that emits an audible beep when it is time to replace the cartridge. The alarm is triggered when the paper no longer covers the alarm hole in the top of the motor enclosure. (see Fig. 4)

To test the operation of the alarm follow these steps.

1. Plug the unit into the outlet
2. Carefully remove the cartridge. The alarm should emit an audible beep.
3. Stop the alarm by installing a fresh cartridge.

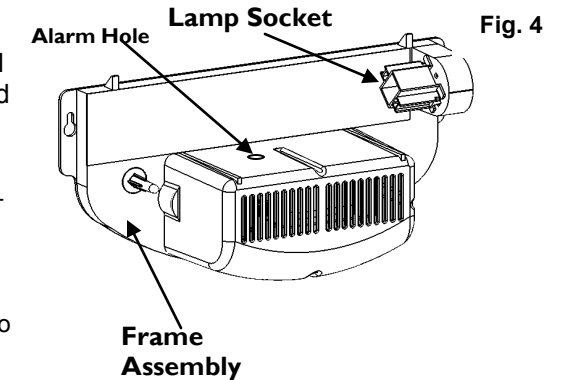


Fig. 4

At eight months of continuous use the UV output of the lamps have lose approximately 30% effectiveness and should be replaced.

After this time the lamp may still light but is no longer emitting enough of the special UV light frequency required for an effective insect catch.

Fig. 5

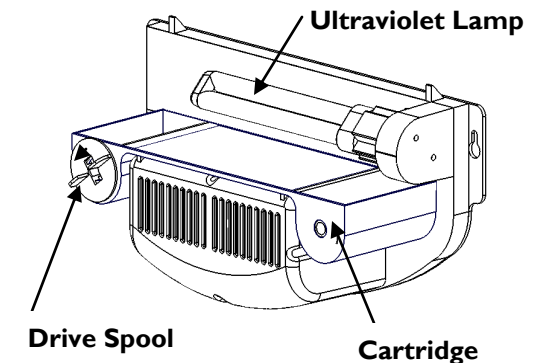
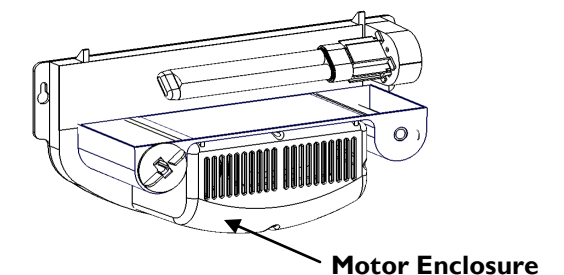


Fig. 6

Drive Spool

Cartridge



Motor Enclosure

72679-04-21-2014